

LATEST TECHNOLOGY COMPRESSOR PARTS



**REMANUFACTURED
COMPRESSORS
FOR REFRIGERATION AND
AIR-CONDITIONING
APPLICATIONS**

GET IN TOUCH



+91 9821020357
022-67586605/06/07



sales@jecparts.com
info@jecparts.com



401-402, Dattani Plaza, Andheri
Kurla Road, Andheri (E), Mumbai
- 400072, India



Scan QR
for more
details

MARINE – INDUSTRIAL – COMMERCIAL

EX-STOCKS PRODUCTS

**JYOTI ENGINEERING COMBINE OWNS ONE OF THE LARGEST WAREHOUSES IN ASIA WITH GENUINE TURNKEY
AFTER-MARKET SPARE PARTS AND REBUILD COMPRESSOR AT COMPETITIVE PRICES**

**GEA Grasso, Sabroe, Carrier, Copeland, Carlyle, Bitzer, York, Daikin, Mycom, Bock, Gram,
McQuay, Trane, Kirloskar, Voltas, Frascold**

& CUSTOM DESIGNS

TABLE OF CONTENT

Compressor Parts 3

Custom Made Spare Parts 3

Next Generation Compressor Parts 4

OEM-Aftermarket Quality Parts 5

Compressors 7

Reciprocating Compressors, Parts & Repairs 7

New Division: Screw Compressors, Parts & Repairs 8

Remanufactured Compressors 9

Free Technical Support 11

Express Fast Delivery Available Worldwide 11

About Us 12

COMPRESSOR PARTS

**THOUSANDS OF OUR OEM-AFTERMARKET QUALITY PARTS
SHIP THE SAME DAY.**

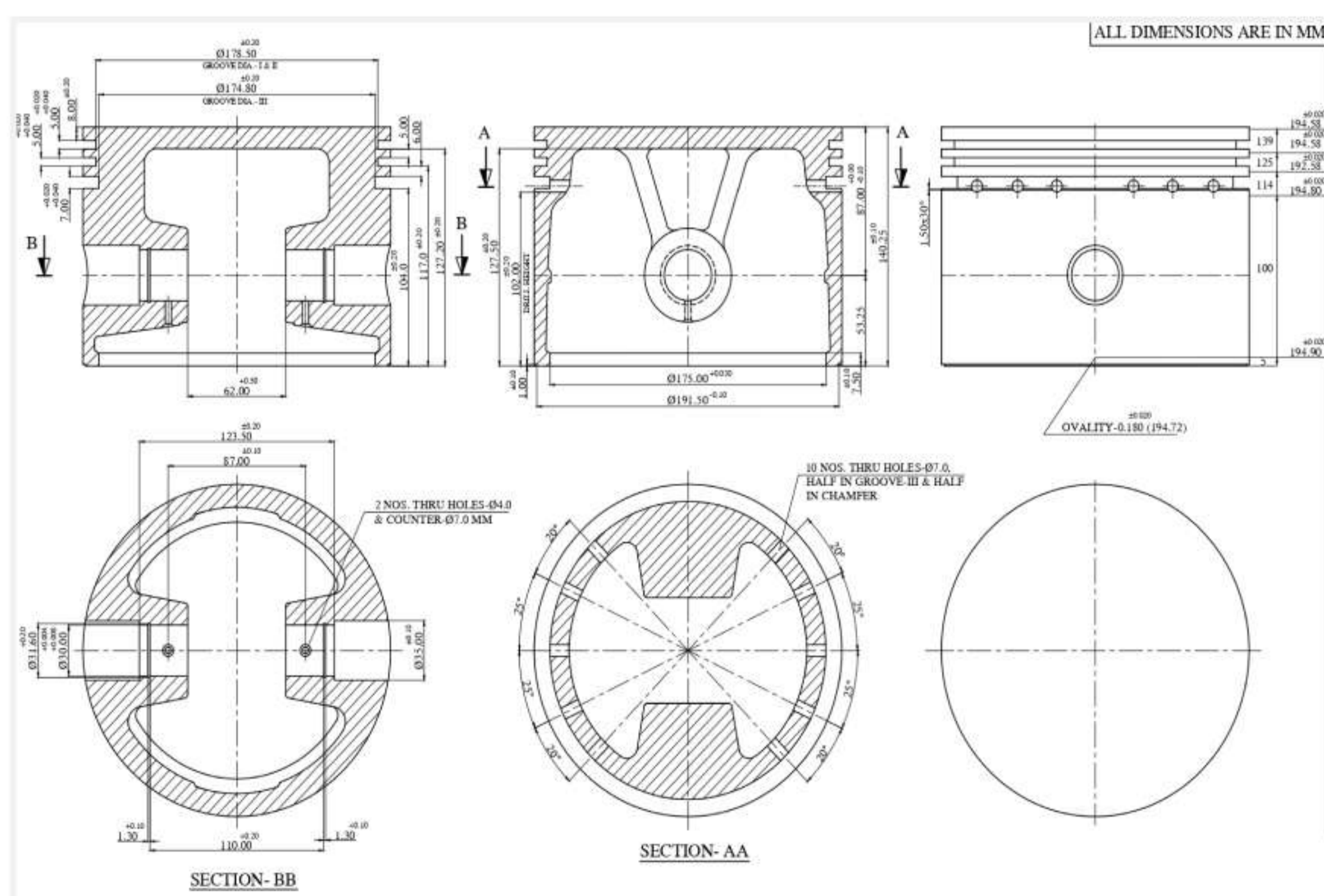
We at Jyoti Engineering Combine, work towards producing and improving **highest quality** hassle free parts produced on **latest CNC, HMC and VMC machines.**



Our latest CNC, HMC and VMC machines

CUSTOM MADE SPARE PARTS

We **exclusively manufacture custom made spare parts**, at the most competitive rate compared to OEM. Furthermore, we can offer our clients parts that the original companies don't sell. Like old pieces for really old compressors, more undersize or oversize repair depths, single valves or gaskets etc.



195 MM CUSTOM PISTON DRAWING



**195 MM CUSTOM PISTON DESIGNED FOR
AIR COMPRESSOR**

NEXT GENERATION COMPRESSOR PARTS

“All parts are subjected to a thorough quality inspection”



CYLINDER LINER



**CYLINDER LINER
ASSEMBLY**



RETAINING PLATE



GASKET



**DISCHARGE VALVE
ASSEMBLY WITH PEEK
RINGS**



DISCHARGE VALVE SEAT



ANODIZED PISTONS



**BEARING AND
THRUST WASHER**



SHAFT SEALS



OIL PUMP

OEM-AFTERMARKET QUALITY PARTS

“All parts are subjected to a thorough quality inspection”



OIL PUMP



CRANKSHAFT



OIL PUMP



BEARING



PISTON PIN



BEARING



DISCHARGE VALVE



OIL PUMP



CYLINDER LINE



DISCHARGE VALVE



LINEAR ASSEMBLY



OIL PUMP



BEARING



CONNECTING ROD



PISTON ASSEMBLY



VALVE PLATE



VALVE PLATE



VALVE PLATE



OIL PUMP

COMPRESSORS

EVERY DETAIL IS **REMANUFACTURED** TO ORIGINAL-
COMPRESSOR QUALITY

RECIPROCATING COMPRESSOR PARTS & REPAIRS



Our reconstructed (rebuilt) compressors are warranted against performance equal to OEM compressors and specifications. Our experienced technicians are capable to salvage and rebuilt even the worst conditioned compressor for high performance.

NEW DIVISION

SCREW COMPRESSOR PARTS & REPAIRS

“All parts are subjected to a thorough quality inspection”



Screw Compressor



Screw Compressor



Condenser

We undertake repairs, rewinding, testing of screw compressors like Bitzer, Carrier, Mycom, Grasso, Refcom, to name a few.



Seals for Screw Compressor



Parts for screw compressor



Seals for screw compressor

REMANUFACTURED COMPRESSORS



BITZER 6F 1



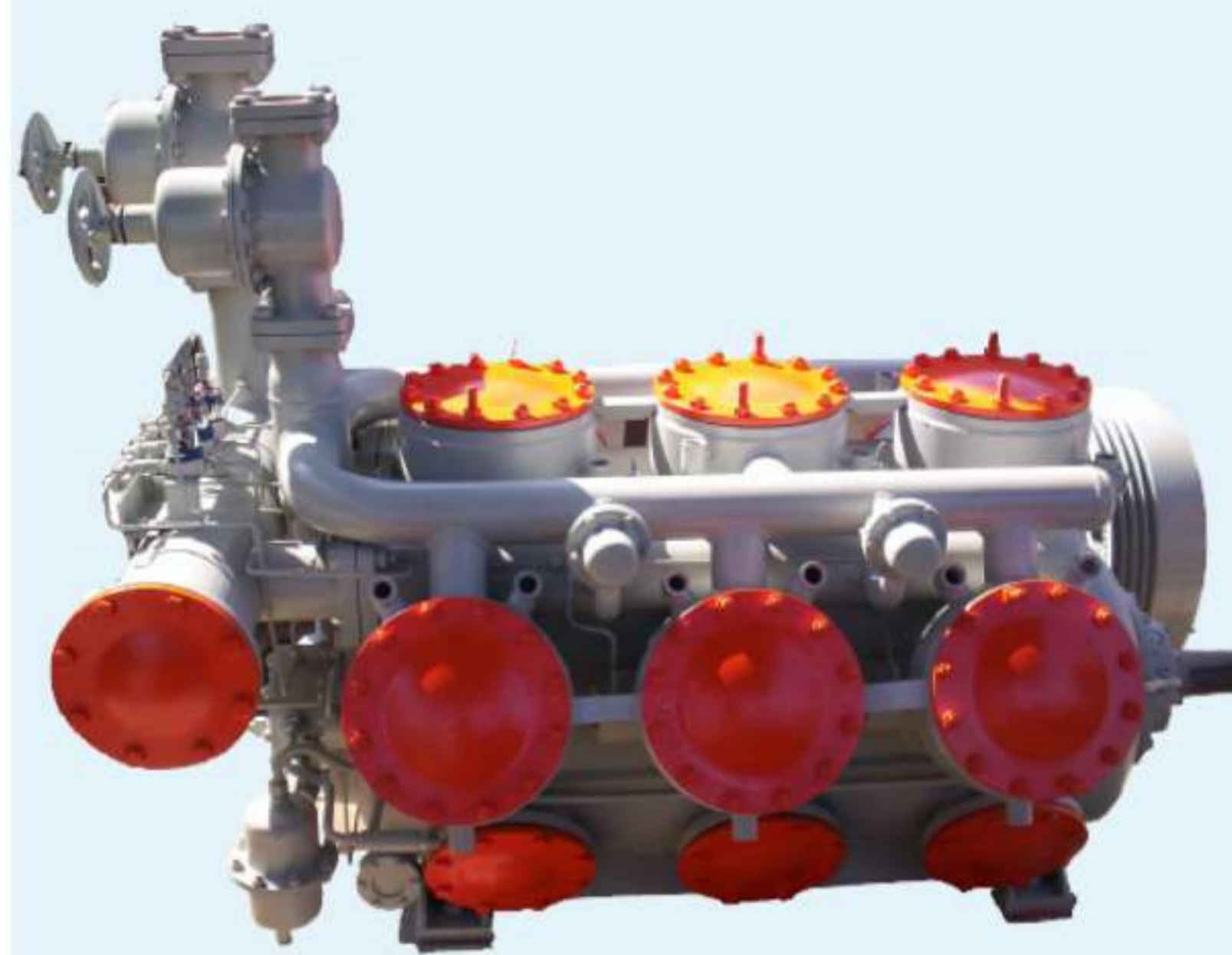
BOCK



CARRIER-5H-120



CMO 24



KIRLOSKAR



CARRIER



BOCK



SABROE SMC 106



DAIKIN 6C-75



DAIKIN 2C-58 L



COPELAND 8R



CARRIER 5H-60



BOCK FX4



BITZER 6F-50



BITZER 2FC



06E



06DR



COPELAND

FREE TECHNICAL SUPPORT

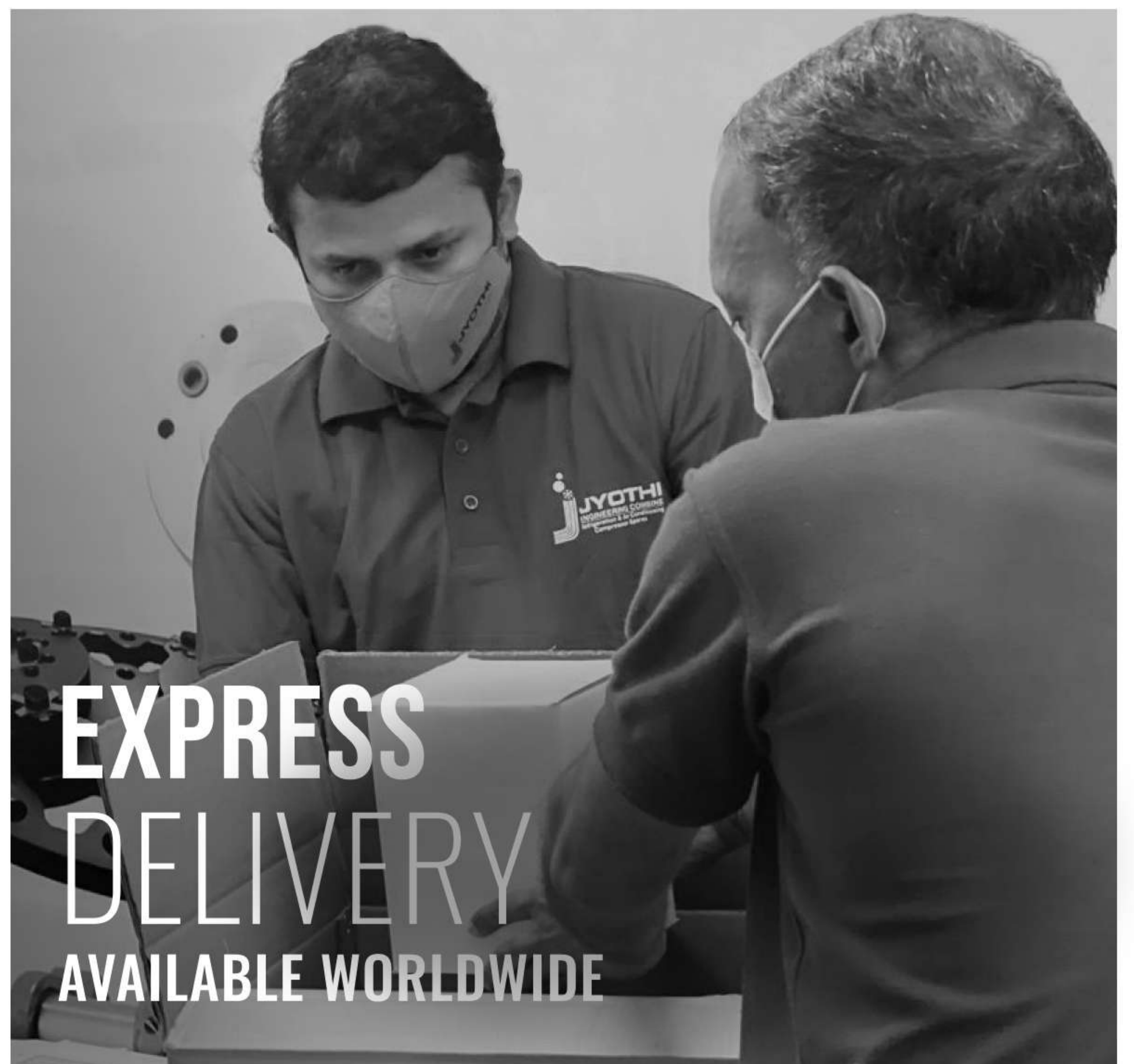


After decades of manufacturing OEM quality parts we have probably encountered the issue you are experiencing. Whether you have an issue with a part or the compressor, **reach out** to our team for **quick support** and get your project back on track fast.

EXPRESS FAST DELIVERY AVAILABLE WORLDWIDE

Whether you need one part or hundreds we have the inventory and shipping network to arrive on your doorstep quickly.

Stop waiting and order from Jyoti Engineering Combine today!



Jyoti Engineering Combine was established in Mumbai, India in 1985 by experts in the field of refrigeration operating in the sector of **Marine and Industrial Refrigeration and Air Conditioning all over the world**. **Jyoti Engineering Combine's** prime objective was the production of re-manufactured refrigeration compressors (according to the manufacturer's specifications), who focus on highest quality with the lowest cost in the market, the supply of original spare parts for a wide variety of compressors, as well as technical support of already existing marine and industrial facilities at any time in any place in the world, with the support of our highly trained department. Main objectives of **Jyoti Engineering Combine** are the following:

- The re-manufacturing of refrigeration compressors (according to the manufacturer's specifications) on highest quality.
- The supply of original spare parts, new and reconditioned compressors at very competitive prices.
- We have support of major manufacturers which allows us to offer lowest best prices with high quality original parts. All parts are subjected to a thorough quality inspection.

For all these we relied on the specific knowledge of **Mr. Mukesh Goswami, Founder and CEO of Jyoti Engineering Combine** who has been in the field for over 39 years. Thus, we were established as the most reliable company in the Industrial Refrigeration and Air-Conditioning service sector. **Our products are accepted and trusted for quality and services by our clients from India as well as globally in over 62 Countries with repeated orders. Client support and guidance has made us achieve OEM quality compressor parts;** with our unbeatable prices and the immediate service we offer, along with our high-quality products imposed our transfer to a new contemporary venue with pioneer machinery and equipment.

We are obsessed with customer satisfaction.

All our activities are in accordance with the requirements of the management system standards **ISO 9001:2015** by **United Global Accreditation Centre (UGAC)**, **International Compressors Remanufacturing Association (ICRA)**, **International Marine Purchasers Association (IMPA)**.



& CUSTOM DESIGNS

GET IN TOUCH

+91 9821020357
022-67586605/06/07

401-402, Dattani Plaza, Andheri Kurla Road,
Andheri (E), Mumbai - 400072, India

sales@jecparts.com
info@jecparts.com

www.jecparts.com



Scan the QR code
for more details